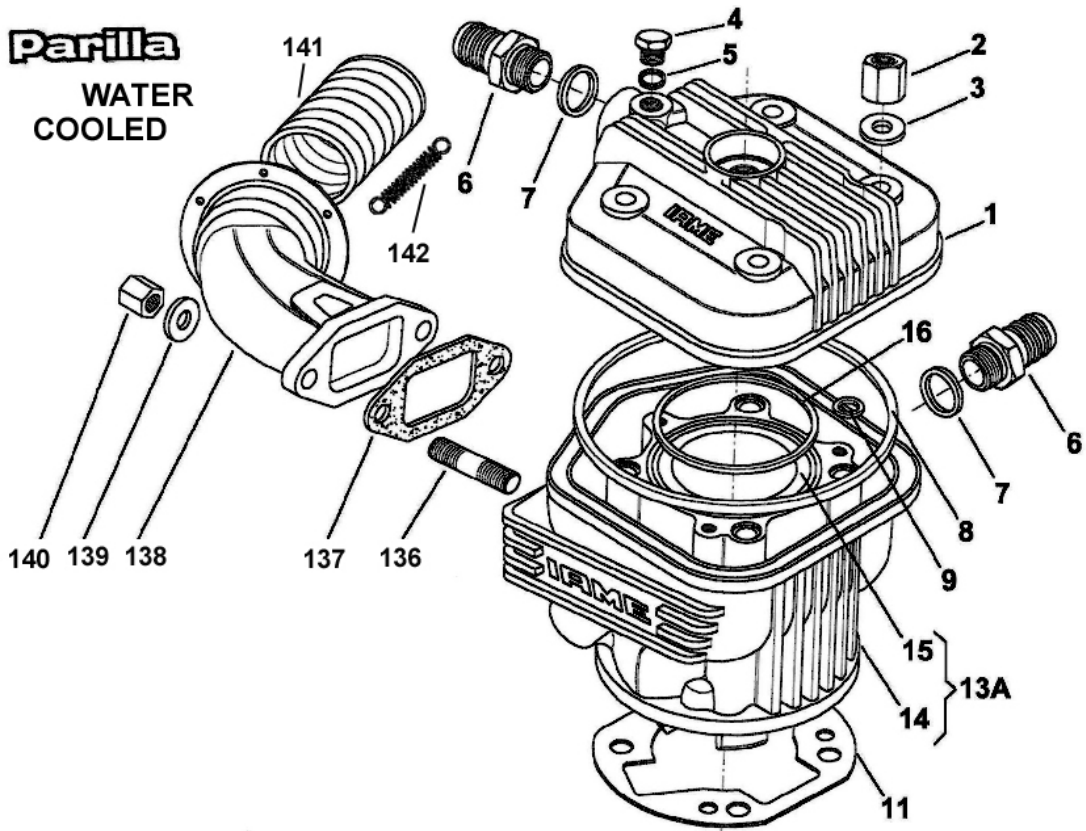
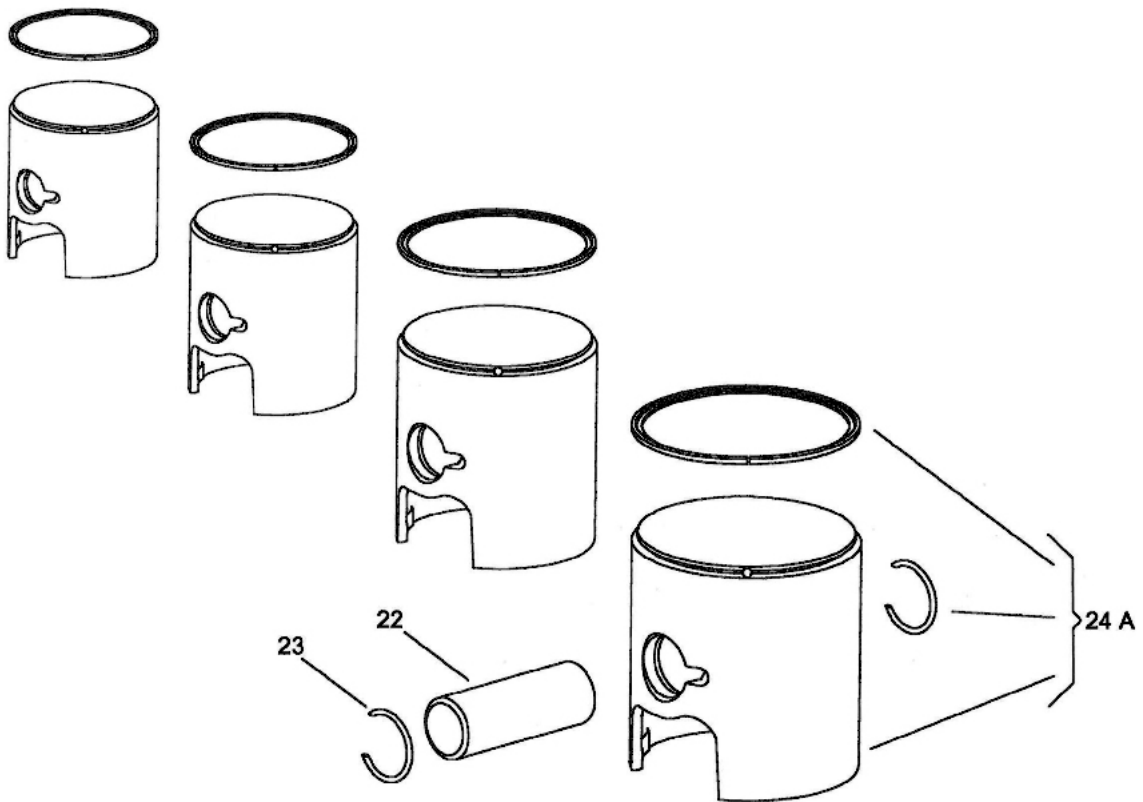
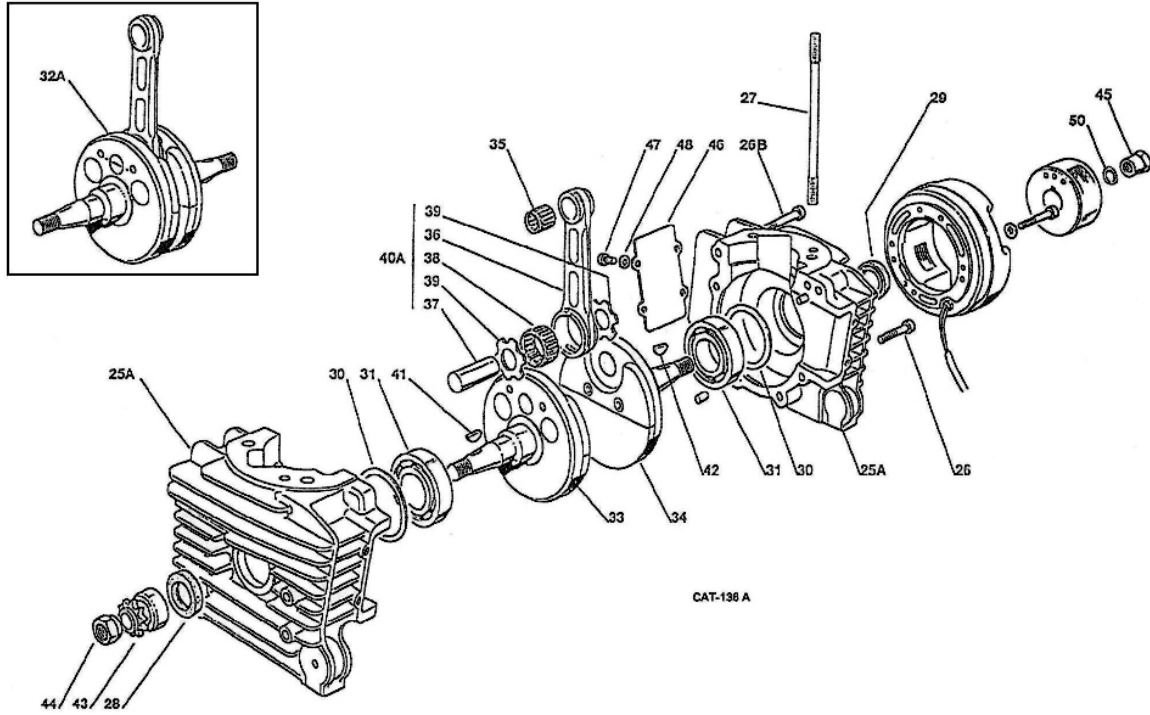


**Parilla**  
WATER  
COOLED



IAME - ZINGONIA - ITALY CAT-026/A

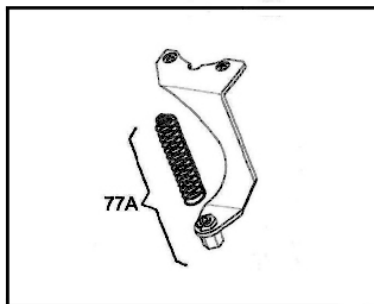
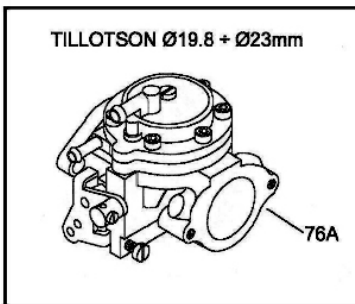
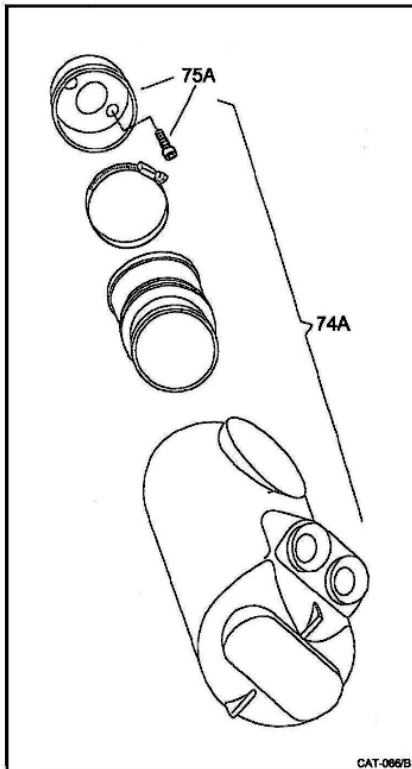
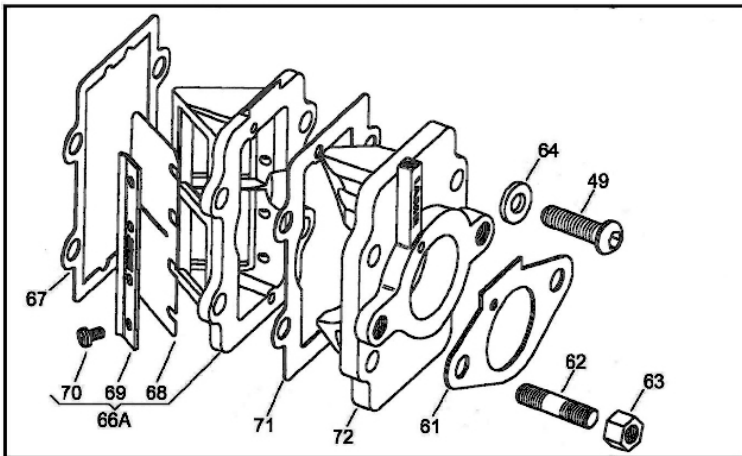




CAT-196 A

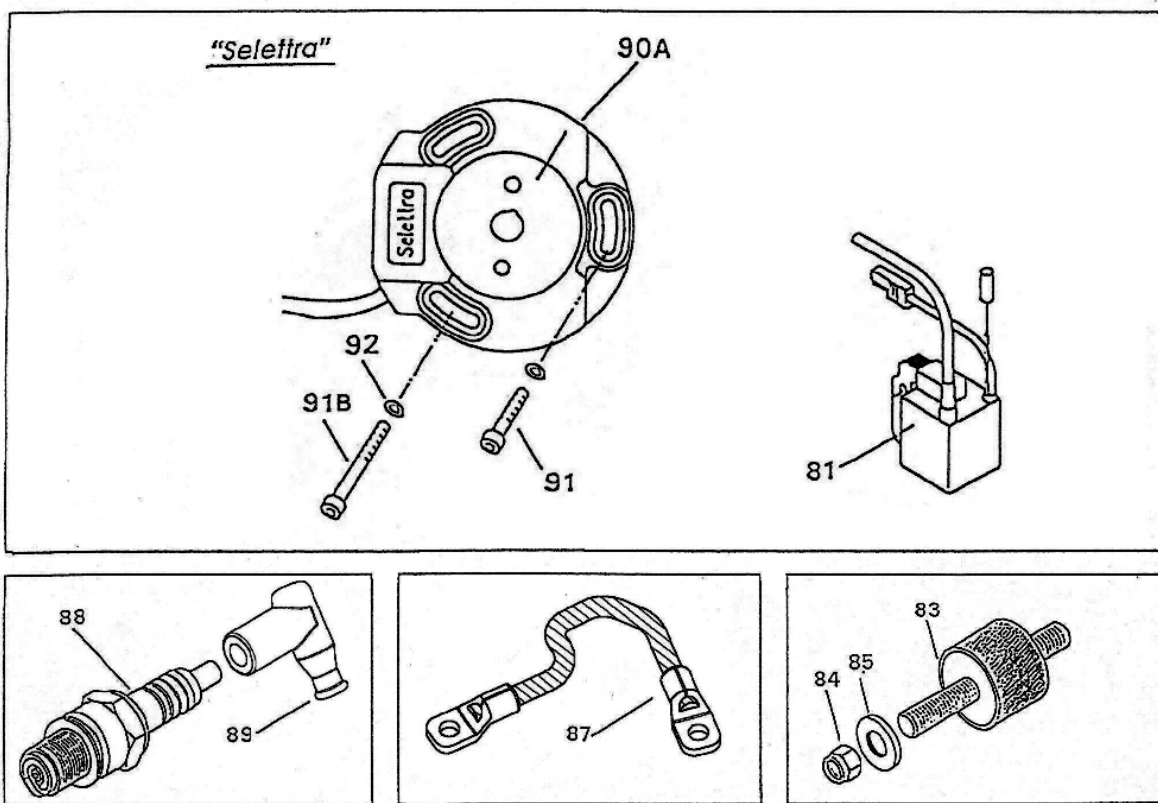
GRUPPO ALIMENTAZIONE A LAMELLE - REED VALVE INLET GROUP -  
 GROUPE ALIMENTATION A CLAPETS

FILTRO ARIA - AIR FILTER - FILTRE AIR



CAT-066/B

ACCENSIONI ELETTRICHE - ELECTRONIC IGNITIONS - ALLUMAGES ELECTRONIQUES



CAT-116

TT38\_parte\_alta

PARILLA		TESTA E CILINDRO		HEAD AND CYLINDER	CULASSE ET CYLINDRE
Fig.	Code	Descrizione	Dim.	Description	Description
1	F-100043	<b>TESTA cilindro</b>		<b>Cylinder HEAD</b>	<b>CULASSE cylindre</b>
2	10350	DADO testa		Head NUT	ECROU culasse
3	10635	RONDELLA dado testa		Head nut WASHER	RONDELLE ecrou culasse
4	B-25840	TAPPO sonda temperatura		Temperature gauge PLUG	BOUCHON trou temperature
5	B-25845	GUARNIZIONE tappo sonda		Plug GASKET	JOINT bouchon
6	B-25830A	RACCORDO tubo acqua		Water fitting PIPE	RACCORD tube eau
7	B-25835	GUARNIZIONE raccordo		Pipe GASKET	JOINT raccord tube
8	D-37049	GUARNIZIONE testa OR		Head GASKET OR	JOINT culasse OR
9	B-25825	GUARNIZIONE tiranti OR		Tie-rod GASKET o-ring	JOINT goujon o-ring
10	D-37047	GUARNIZIONE testa	0,1mm	Head GASKET	JOINT culasse
10	D-37048	GUARNIZIONE testa	0,2mm	Head GASKET	JOINT culasse
11	E-38045	GUARNIZIONE cilindro	4\10	Cylinder GASKET	JOINT cylindre
11	E-38046	GUARNIZIONE cilindro	2\10	Cylinder GASKET	JOINT cylindre
13A	E-10037E	<b>CILINDRO completo</b>		<b>Complete CYLINDER</b>	<b>CYLINDRE complet</b>
14	E-10017E	<b>CARASSA cilindro</b>		<b>Cylinder BARREL</b>	<b>CORPS cylindre</b>
15	E-10027E	<b>CANNA cilindro</b>		<b>Iron LINER</b>	<b>CHEMISE en fonte</b>
16	D-37049	GUARNIZIONE testa OR		Head GASKET OR	JOINT culasse OR
136	B-75355	PRIGIONIERO scarico	M8x36	Exhaust STUDBOLT	GOUJON echappement
137	B-75360	GUARNIZIONE scarico		Exhaust pipe GASKET	JOINT pipe echappement
138	F-40368	<b>RACCORDO scarico</b>		<b>Exhaust PIPE</b>	<b>PIPE echappement</b>
139	.00332	RONDELLA dado scarico	M8	Exhaust nut WASHER	RONDELLE ecrou echappem.
140	B-71662	<b>DADO scarico</b>	<b>M8</b>	<b>Exhaust NUT</b>	<b>ECROU echappement</b>
141	10711-B	FLESSIBILE L. 13 cm.	D. 45mm.	FLEXIBLE L. 13 cm.	FLEXIBLE L. 13 cm.
142	10785	MOLLA tenuta flessibile	L=55mm	Flexible SPRING	RESSORT flexible

## TT38\_Pistones

PARILLA		PISTONE		PISTON	PISTON
Fig.	Code	Descrizione	Dim.	Description	Description
22	B-10321-R	SPINOTTO biconico 1^ sel.	14x39	Biconical piston PIN 1^ sel.	AXE de piston biconique 1^ sel.
22	B-10321-B	SPINOTTO biconico 2^ sel.	14x39	Biconical piston PIN 2^ sel.	AXE de piston biconique 2^ sel.
22	B-10321-G	SPINOTTO biconico 3^ sel.	14x39	Biconical piston PIN 3^ sel.	AXE de piston biconique 3^ sel.
23	10341-A	ANELLINO ferma spinotto		CIRCLIP	ARRET axe de piston
24A	D-37050-CV	PISTONE completo verde	49,85 v	Complete green PISTON	PISTON complet vert
24A	D-37050-CR	PISTONE completo rosso	49,85 r	Complete red PISTON	PISTON complet rouge
24A	D-37055-CV	PISTONE completo verde	49,87 v	Complete green PISTON	PISTON complet vert
24A	D-37055-CR	PISTONE completo rosso	49,87 r	Complete red PISTON	PISTON complet rouge
24A	D-37060-CV	PISTONE completo verde	49,89 v	Complete green PISTON	PISTON complet vert
24A	D-37060-CR	PISTONE completo rosso	49,89 r	Complete red PISTON	PISTON complet rouge
24A	B-36050-CV	PISTONE completo verde	49,91 v	Complete green PISTON	PISTON complet vert
24A	B-36050-CR	PISTONE completo rosso	49,91 r	Complete red PISTON	PISTON complet rouge
24A	B-36055-CV	PISTONE completo verde	49,93 v	Complete green PISTON	PISTON complet vert
24A	B-36055-CR	PISTONE completo rosso	49,93 r	Complete red PISTON	PISTON complet rouge
24A	B-36060-CV	PISTONE completo verde	49,95 v	Complete green PISTON	PISTON complet vert
24A	B-36060-CR	PISTONE completo rosso	49,95 r	Complete red PISTON	PISTON complet rouge
24A	B-36065-CV	PISTONE completo verde	49,97 v	Complete green PISTON	PISTON complet vert
24A	B-36065-CR	PISTONE completo rosso	49,97 r	Complete red PISTON	PISTON complet rouge
24A	B-36070-CV	PISTONE completo verde	49,99 v	Complete green PISTON	PISTON complet vert
24A	B-36070-CR	PISTONE completo rosso	49,99 r	Complete red PISTON	PISTON complet rouge
24A	B-36075-CV	PISTONE completo verde	50,01 v	Complete green PISTON	PISTON complet vert
24A	B-36075-CR	PISTONE completo rosso	50,01 r	Complete red PISTON	PISTON complet rouge

## TT38\_carter

PARILLA		BASAMENTO E ALBERO MOTORE		CRANKCASE AND CRANKSHAFT	CARTER ET VILEBREQUIN
Fig.	Code	Descrizione	Dim.	Description	Description
25A	E-10485B	BASAMENTO completo		Complete CRANKCASE	CARTER complet
26	.00049	VITE basamento	M6x45	Crankcase SCREW	VIS carter
26B	.00052	VITE basamento	M6x60	Crankcase SCREW	VIS carter
27	E-38345	TIRANTE cilindro	8x157	Cylinder TIE-ROD	GOUJON cylindre
28	F-10425	ANELLO TENUTA l. trasmis.	20x35x7 RP	Drive side OIL SEAL	ANNEAU transmiss.
29	F-10425	ANELLO TENUTA l. accens.	20x35x7 RP	Magneto side OIL SEAL	ANNEAU magneto
30	30407	RASAMENTO acciaio	0,1mm	Steel SHIM	RONDELLE acier
30	30404	RASAMENTO acciaio	0,15mm	Steel SHIM	RONDELLE acier
31	35396-A	CUSCINETTO 6205 C4 Koyo		BALL BEARING 6205-FGC4	ROULEMENT 6205-FGC4 K.
32A	D-95622	ALBERO MOTORE completo	Super	Complete CRANKSHAFT	VILEBREQUIN complet
33	D-95387	SEMIALBERO l. trasmissione	Super	Drive s.HALF CRANKSHAFT	DEMI VILEBREQUIN trans.
34	D-95392	SEMIALBERO l. accensione	Super	Magn.s.HALF CRANKSHAFT	DEMI VILEBREQUIN magn.
35	E-10440	GABBIETTA piede biella		Small end CAGE	CAGE pied bielle
36	D-37460	BIELLA	int.100mm.	CONROD	BIELLE
37	D-37450	ASSE accoppiamento	18x46 mm.	CRANKPIN	AXE de vilebrequin
38	B-10431	GABBIETTA testa biella 15 R		Big end CAGE 15 R	CAGE axe vilebrequin 15 R
39	E-38436	RONDELLA bronzo		Bronze WASHER	RONDELLE bronze
40A	D-37460-46	BIELLA completa selez.	int.100mm.	Compl. select. CONROD	BIELLE complete select.
41	11715	CHIAVETTA pignone	10x3,7x3	Sprocket KEY	CLAVETTE pignon
42	11715	CHIAVETTA pignone	10x3,7x3	Sprocket KEY	CLAVETTE pignon
43	10531-A	PIGNONE Z9 - J		SPROCKET 9 teeth - J	PIGNON 9 dents - J
43	10533-A	PIGNONE Z10 - J		SPROCKET 10 teeth - J	PIGNON 10 dents - J
44	10535	DADO pignone		Sprocket NUT	ECROU pignon
45	10535	DADO volano		Magneto NUT	ECROU magneto
46	10580	TARGHETTA Parilla		Parilla PLATE	PLAQUETTE Parilla
47	.00059	VITE targhetta	M6x12	Plate SCREW	VIS plaque
48	.00321	RONDELLA vite targhetta	M6	Plate screw WASHER	RONDELLE vis plaque
50	10640	RONDELLA accensione Super		Super ignition WASHER	RONDELLE allumage Super

**TT38\_admision**

PARILLA		AMMISSIONE		INLET	ADMISSION
Fig.	Code	Descrizione	Dim.	Description	Description
49	.00265	VITE gruppo lamelle	M6x25	Reed group SCREW	VIS groupe clapets
61	10360-A	GUARNIZIONE carburatore		Carburetor GASKET	JOINT carburateur
62	10525	PRIGIONIERO fis.carburatore	M6x25	Fix. Carburetor STUDBOLT	GOUJON fix. carburateur
63	.00351	DADO prigioniero	M6	Studbolt NUT	ECROU goujon
64	.00302	RONDELLA vite	M6	Screw WASHER	RONDELLE vis
66A	F-11828	GRUPPO LAMELLE gomm.	0.26mm	Rubber coated REED GROUP	GRUPE CLAPETS a/caout.
67	11810	GUARNIZIONE racc.basam.		Crankcase/manifold GASKET	JOINT carter/raccord
68	11840	LAMELLA singola	0.30mm.	Reed PETAL	CLAPET
69	F-11845	FERMA lamelle		Reeds CLIP	ARRET clapets
70	10380	VITE fissaggio lamelle		Reeds SCREW	VIS clapets
71	11805-A	GUARNIZIONE racc.carburat.		Manifold carb GASKET	JOINT raccord carburateur
72	B-75817A	CONVOGLIATORE Univ.	D. 27 mm.	Univ. CONVEYOR	CONVOYEUR Univ.
74A	10745-C	SILENZIATORE D'ASP.com.		Compl. INTAKE SILENC.	SILENC. D'ASPIR. compl.
75A	10771-C	SUPPORTO silenz.d'aspiraz.		Intake silencer SUPPORT	SUPPORT silenc.d'aspir.
77A	B-35520-C	LEVA cavo gas		Accelerator cable DEVICE	LEVIER cable accelerateur

**TT38\_encendido**

PARILLA		ACCENSIONE		IGNITION	ALLUMAGE
Fig.	Code	Descrizione	Dim.	Description	Description
81	10024	BOBINA Selettra nera		Black Selettra COIL	BOBINE Selettra noire
83	B-35810-A	ANTIVIBRANTE bob. Selettra		Coil Selettra DAMPENER	ANTIVIBRATOIRE bob.Selet.
84	.00378	DADO per antivibrante	M6	Dampener NUT	ECROU antivibratoire
85	.00302	RONDELLA dado antivibrante	M6	Dampener nut WASHER	RONDELLE ecrou antivibrat.
87	B-35805-A	CAVO massa bobina		Coil ground CABLE	CABLE masse bobine
88	10561-A	CANDELA	NGKBR10EG	SPARK PLUG	BOUGIE
89	10544	PIPETTA in gomma PVL		PVL Rubber CAP	PIPETTE en caoutchouc PVL
90A	10014-D	ACCENSIONE Selettra Super	cono 1:7,5	Selettra Super IGNITION	ALLUMAGE Selettra Super
91	.00034	VITE accensione Selettra	M5x25	Selettra ignition SCREW	VIS allumage Selettra
91B	.00039	VITE accensione Selettra	M5x40	Selettra ignition SCREW	VIS allumage Selettra
92	.00301	RONDELLA vite accensione	M5	Ignition screw WASHER	RONDELLE vis allumage